

HZB12-26 Valve Regulated Lead Acid battery.
12 year design life for stand by power applications.
12 Volts 26 Ah

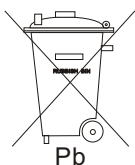
Innovative Features

- Completely maintenance free, sealed construction eliminates the need for watering
- Fully tank formed plates
- Analytical Grade electrolyte
- Spill proof / leak proof
- Valve regulated Max internal pressure 2.5 psi
- Multi-position usage
- ABS Case and cover - V0 on request
- Low self discharge
- FAA and IATA approved as non-hazardous
- Built to comply with IEC 896-2, DIN 43534, BS 6290 Pt4, Eurobat.



Specifications

| | |
|-----------------------|--|
| Nominal Voltage | 12 Volts |
| Nominal Capacity | 26Ah (C20 @ 20 °C) |
| Design Life | 12 Years |
| Operating Temperature | -20 °C to 50 °C |
| Grid alloy | Calcium / Tin lead alloy |
| Plates | Flat Pasted |
| Separator | Absorbant Glass Mat |
| Active material | Very high purity lead |
| Case and cover | ABS (VO on request) |
| Charge Voltage | Float 2.25 - 2.30 VPC @25 °C Cycling 2.35 @25 °C Max. 2.4 VPC Max ripple 0.05C (A) |
| Electrolyte | Sulphuric acid Analytical grade purity |
| Venting Valve | EPDM Rubber 1.5 to 2 psi (10.5 - 14 KPa) release pressure. Resealing at 1 psi (7 KPa) |
| Terminal | Insert 12mm Dia M5 thread. Epoxy sealed by extended mechanical paths |
| Torque setting | The recommended torque value for all types is 5-7 Nm |
| Cables | Connectors, cables, terminal covers on request. |



Haze Battery Company keenly encourages environmental awareness; PLEASE follow guidelines for the recycling /disposal of lead.

Website: www.hazebattery.com
E mail : sales@hazebattery.com

Sealed Lead Acid 12 Volt Bloc AGM Range
PRODUCT SHEET HZB12-26

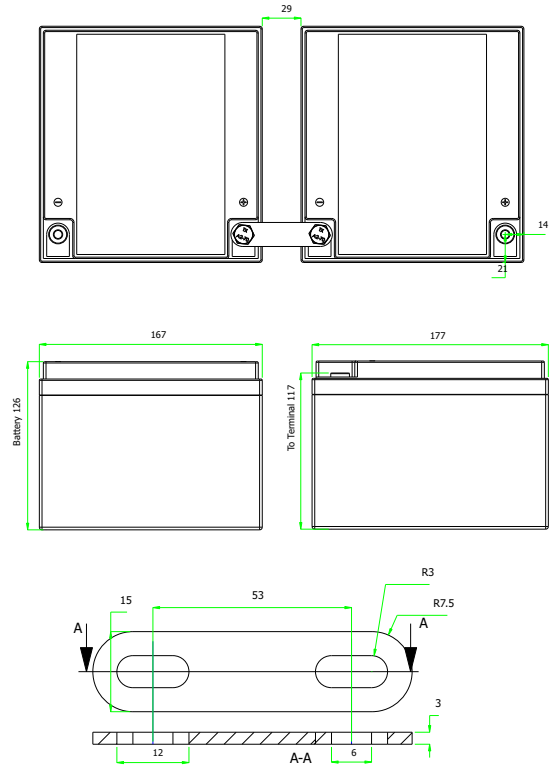
12V
AGM

Specifications

| | | | |
|------------------|----------------------------------|--------|-------------|
| Nominal Voltage | | 12V | |
| Nominal Capacity | | 26 Ah | |
| Dimensions | Total Height (Inc. terminals) | 166 mm | 6.54 inches |
| | Length | 176 mm | 6.93 inches |
| | Width | 126 mm | 4.96 inches |
| | Weight | 9.2 Kg | 20.33 lbs |

Characteristics

| | | |
|--|---------------------------------|----------------------------|
| Capacity 20 °C (68 °F) To 1.7 volts | 20 hour rate | 27.0 Ah |
| | 10 hour rate | 24.1 Ah |
| | 5 hour rate | 22.9 Ah |
| | 1 hour rate | 17.2 Ah |
| | 15 min rate | 12.5 Ah |
| | Internal Resistance | 11 mOhms |
| Capacity correction for Temperature Variations (C20) | 40 °C (104 °F) | 102% |
| | 20 °C (68 °F) | 100% |
| | 0 °C (32 °F) | 85% |
| | -15 °C (5 °F) | 65% |
| Self-Discharge 20 °C (68 °F) | Capacity after 1 months storage | 98% |
| | Capacity after 3 months storage | 94% |
| | Capacity after 6 months storage | 86% |
| Short Circuit Current 20 °C (68 °F) | 900 | |
| Terminal | Standard | 12mm Insert M5 thread |
| | Optional | Cu Flag |
| Charging (Constant Voltage) | Cyclic | 2.35 - 2.40 VPC (20-25 °C) |
| | Float | 2.27 - 2.30 VPC (15-25 °C) |



Constant Power Discharge - Watts per Cell @20 °C

| End V per Cell | 5M | 10M | 15M | 20M | 25M | 30M | 35M | 40M | 45M | 60M | 90M | 2 hr | 3 hr | 4 hr |
|----------------|-----|-----|------|------|------|------|------|------|------|------|------|------|------|------|
| 1.85 | 142 | 104 | 83.6 | 69.7 | 59.9 | 52.7 | 47.1 | 42.4 | 38.8 | 31.2 | 22.7 | 18.3 | 13.6 | 10.7 |
| 1.80 | 149 | 109 | 86.3 | 70.9 | 61.1 | 53.7 | 48.0 | 43.1 | 39.5 | 31.6 | 22.9 | 18.3 | 13.6 | 10.7 |
| 1.75 | 155 | 113 | 88.6 | 72.5 | 62.5 | 54.8 | 48.9 | 44.0 | 40.2 | 32.2 | 23.1 | 18.4 | 13.7 | 10.7 |
| 1.70 | 160 | 116 | 91.2 | 74.0 | 63.4 | 55.7 | 49.6 | 44.7 | 40.8 | 32.6 | 23.4 | 18.6 | 13.7 | 10.8 |
| 1.65 | 167 | 119 | 92.4 | 75.1 | 64.2 | 56.5 | 50.2 | 45.3 | 41.4 | 33.0 | 23.5 | 18.7 | 13.8 | - |
| 1.60 | 174 | 123 | 94.5 | 76.0 | 64.8 | 57.1 | 50.7 | 45.7 | 41.8 | 33.2 | 23.7 | 18.8 | 14.0 | - |

Constant Amps Discharge - Amps @20 °C

| End V per Cell | 5M | 10M | 15M | 20M | 25M | 30M | 35M | 40M | 45M | 60M | 90M | 2 hr | 3 hr | 4 hr | 5 hr | 8 hr | 10 hr | 12 hr | 20 hr |
|----------------|------|------|------|------|------|------|------|------|------|------|------|------|------|------|------|------|-------|-------|-------|
| 1.85 | 76.5 | 55.9 | 44.6 | 37.0 | 31.8 | 27.9 | 24.8 | 22.3 | 20.4 | 16.3 | 11.8 | 9.42 | 6.97 | 5.45 | 4.49 | 2.78 | 2.28 | 1.95 | 1.30 |
| 1.80 | 81.5 | 59.0 | 46.7 | 38.2 | 32.8 | 28.7 | 25.5 | 22.9 | 20.9 | 16.6 | 12.0 | 9.51 | 7.02 | 5.48 | 4.51 | 2.86 | 2.34 | 1.99 | 1.33 |
| 1.75 | 85.5 | 62.0 | 48.4 | 39.3 | 33.7 | 29.4 | 26.1 | 23.4 | 21.3 | 17.0 | 12.1 | 9.60 | 7.06 | 5.51 | 4.54 | 2.89 | 2.36 | 2.01 | 1.33 |
| 1.70 | 88.9 | 64.2 | 50.2 | 40.5 | 34.4 | 30.1 | 26.6 | 23.9 | 21.8 | 17.2 | 12.3 | 9.68 | 7.11 | 5.56 | 4.58 | 2.93 | 2.41 | 2.04 | 1.35 |
| 1.65 | 93.6 | 65.9 | 50.9 | 41.1 | 35.0 | 30.6 | 27.1 | 24.3 | 22.1 | 17.5 | 12.3 | 9.76 | 7.17 | - | - | - | - | - | - |
| 1.60 | 97.9 | 68.5 | 52.3 | 41.7 | 35.4 | 31.0 | 27.4 | 24.5 | 22.4 | 17.6 | 12.5 | 9.83 | 7.25 | - | - | - | - | - | - |

Ampere Hour @20 °C

| End V per Cell | 2 hr | 3 hr | 4 hr | 5 hr | 8 hr | 10 hr | 12 hr | 20 hr |
|----------------|------|------|------|------|------|-------|-------|-------|
| 1.85 | 18.8 | 20.9 | 21.8 | 22.4 | 22.2 | 22.8 | 23.4 | 26.0 |
| 1.80 | 19.0 | 21.1 | 21.9 | 22.6 | 22.9 | 23.4 | 23.9 | 26.7 |
| 1.75 | 19.2 | 21.2 | 22.0 | 22.7 | 23.1 | 23.6 | 24.1 | 26.7 |
| 1.70 | 19.4 | 21.3 | 22.3 | 22.9 | 23.4 | 24.1 | 24.5 | 27.0 |
| 1.65 | 19.5 | 21.5 | - | - | - | - | - | - |
| 1.60 | 19.7 | 21.8 | - | - | - | - | - | - |



UL Recognised
Component
MH28512

